

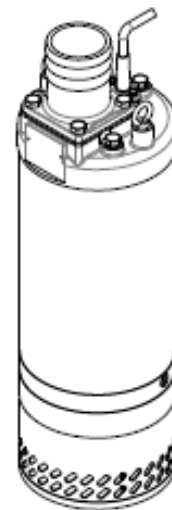
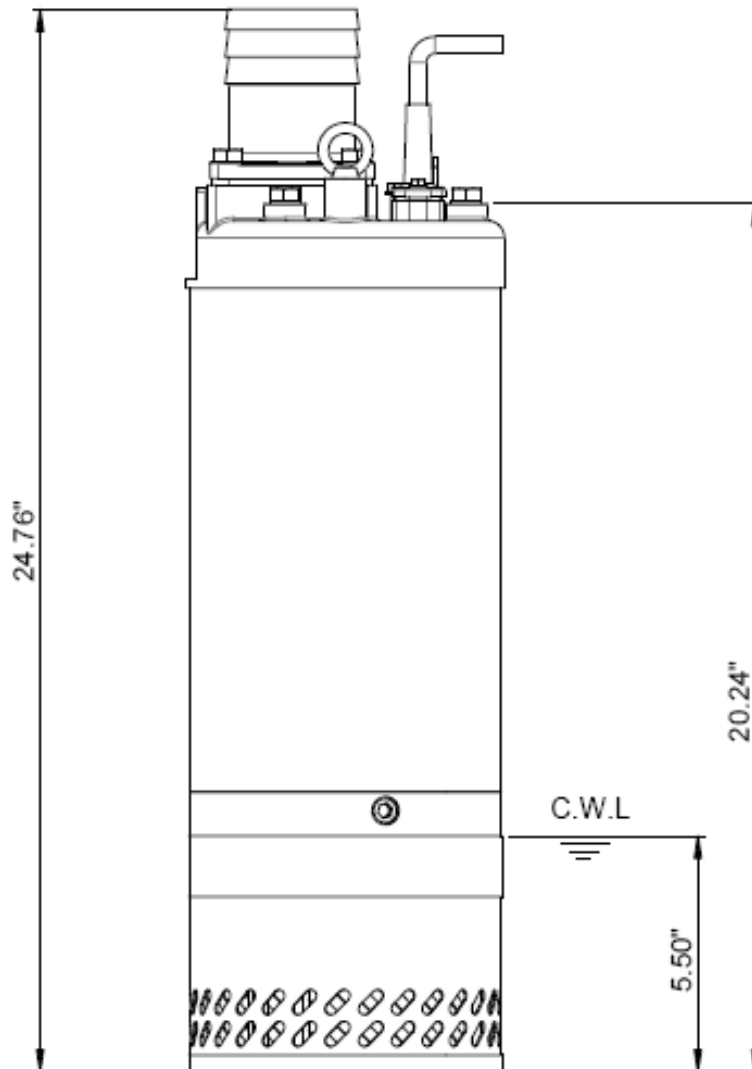
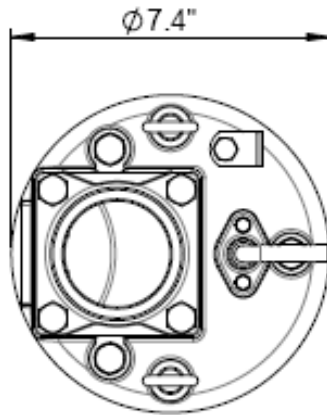


STANCOR

Dimensions

Well Casing Pumps-400 HV

Dwg: DS-A28-012 Rev: -- Date: 2/18



Specifications subject to change without notice

Stancor, L.P. 515 Fan Hill Road, Monroe, CT 06468

Tel: 203-268-7513

Fax : 203-268-7958

www.stancorpumps.com