

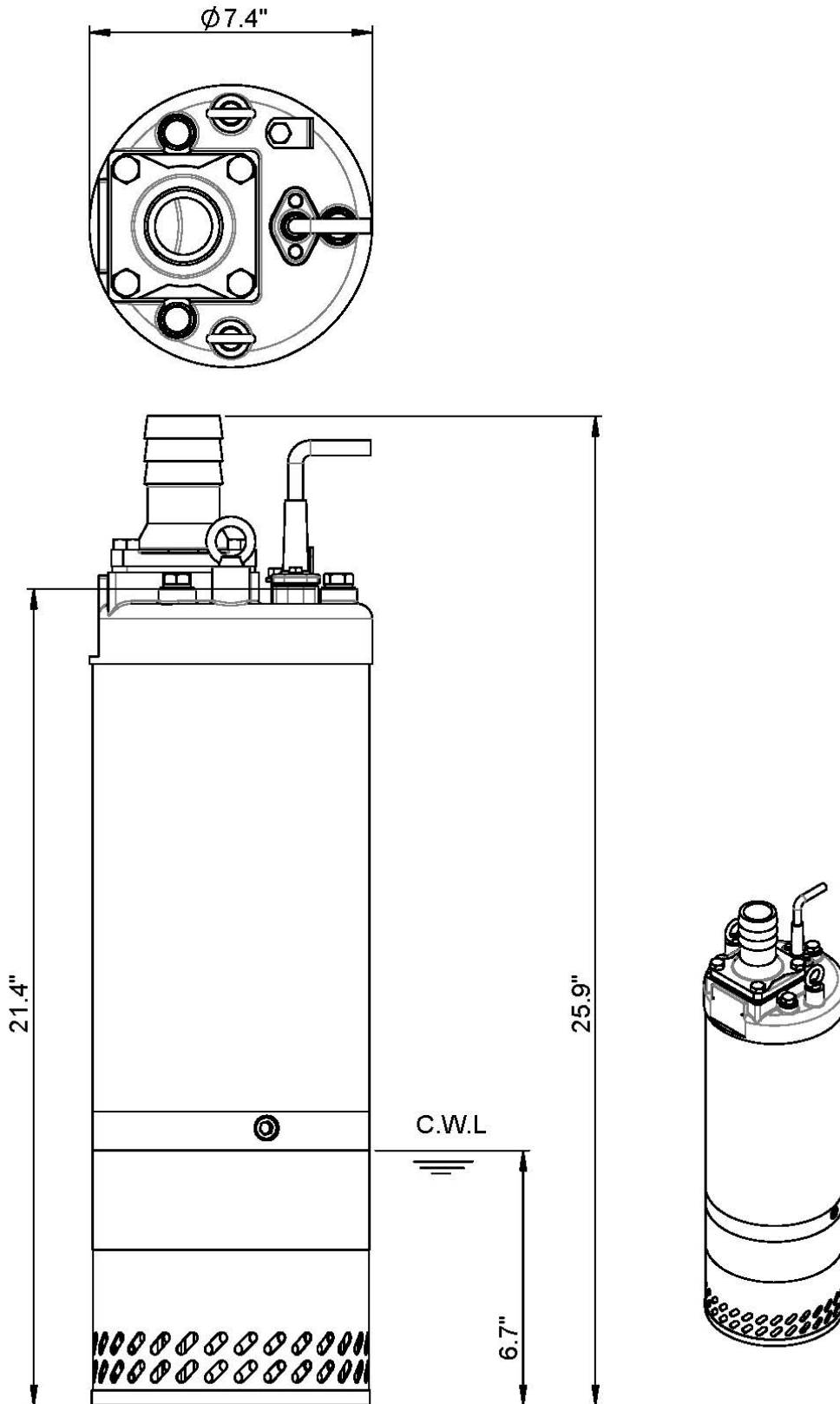


Dimensions

Well Casing Pumps WCP-400 HH

STANCOR

Dwg: DS-A28-004 Rev: -- Date: 02/18



Specifications subject to change without notice