

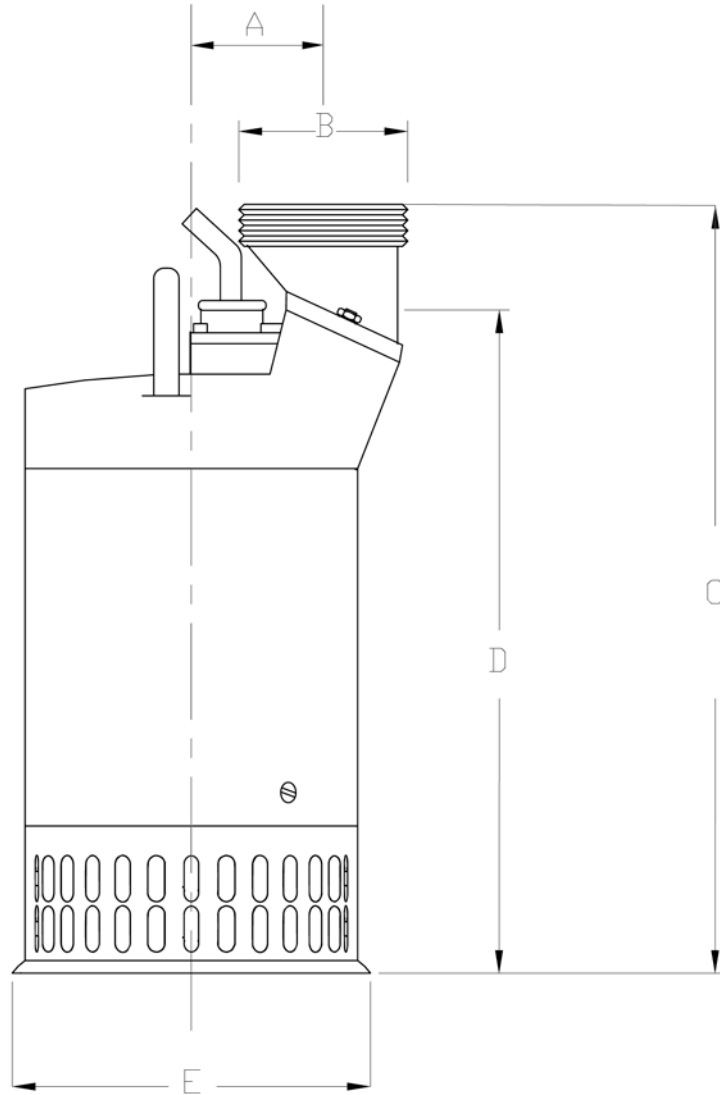


Dimensions

Dewatering Pumps S1000 HH & HV

STANCOR

Dwg: DS-A18-020 Rev: 1 Date: 09/15



Dimensions	A	B	C	D	E
S1000	4"	4"	29.81"	26.81"	11"

Specifications subject to change without notice

Stancor, Inc. 515 Fan Hill Road, Monroe, CT 06468

Tel: 203-268-7513

Fax : 203-268-7958

www.stancorpumps.com

Specifications subject to change without notice

Stancor, Inc. 515 Fan Hill Road, Monroe, CT 06468

Tel: 203-268-7513

Fax : 203-268-7958

www.stancorpumps.com