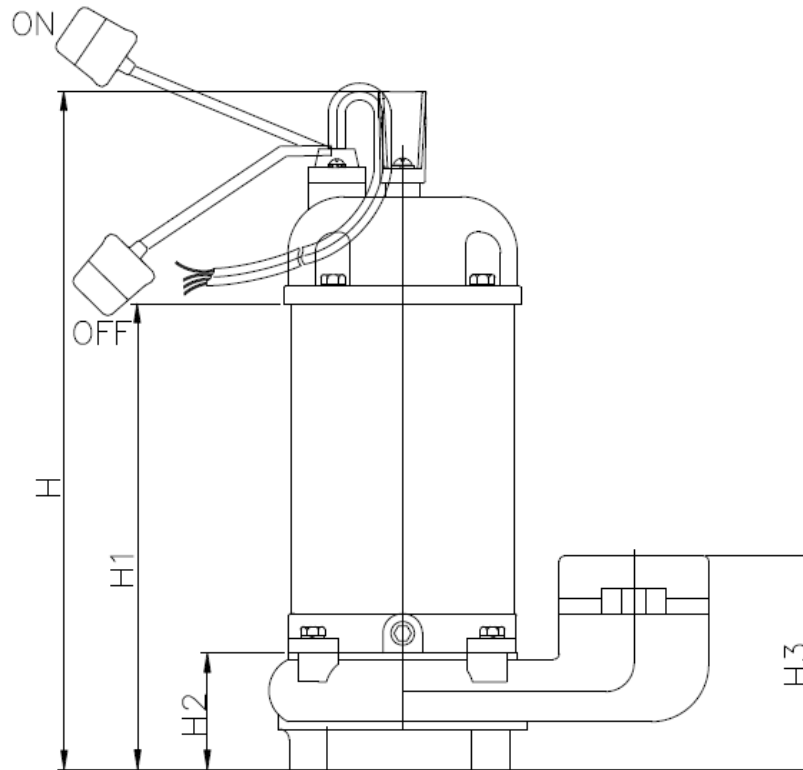
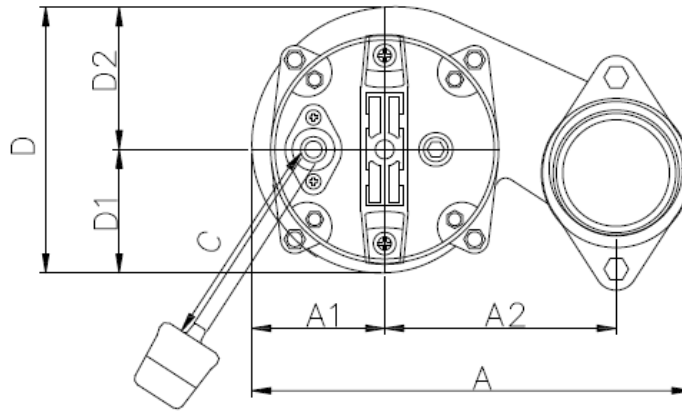




SV-40A



TYPE	DISCHARGE	A	A1	A2	C	D	D1	D2	H	H1	H2	H3
DIMENSIONS	2" NPT female	8.98"	2.87"	6.1"	7.75"	5.91"	2.72"	3.19"	15.2"	10.7"	4.61"	5.43"

Specifications subject to change without notice