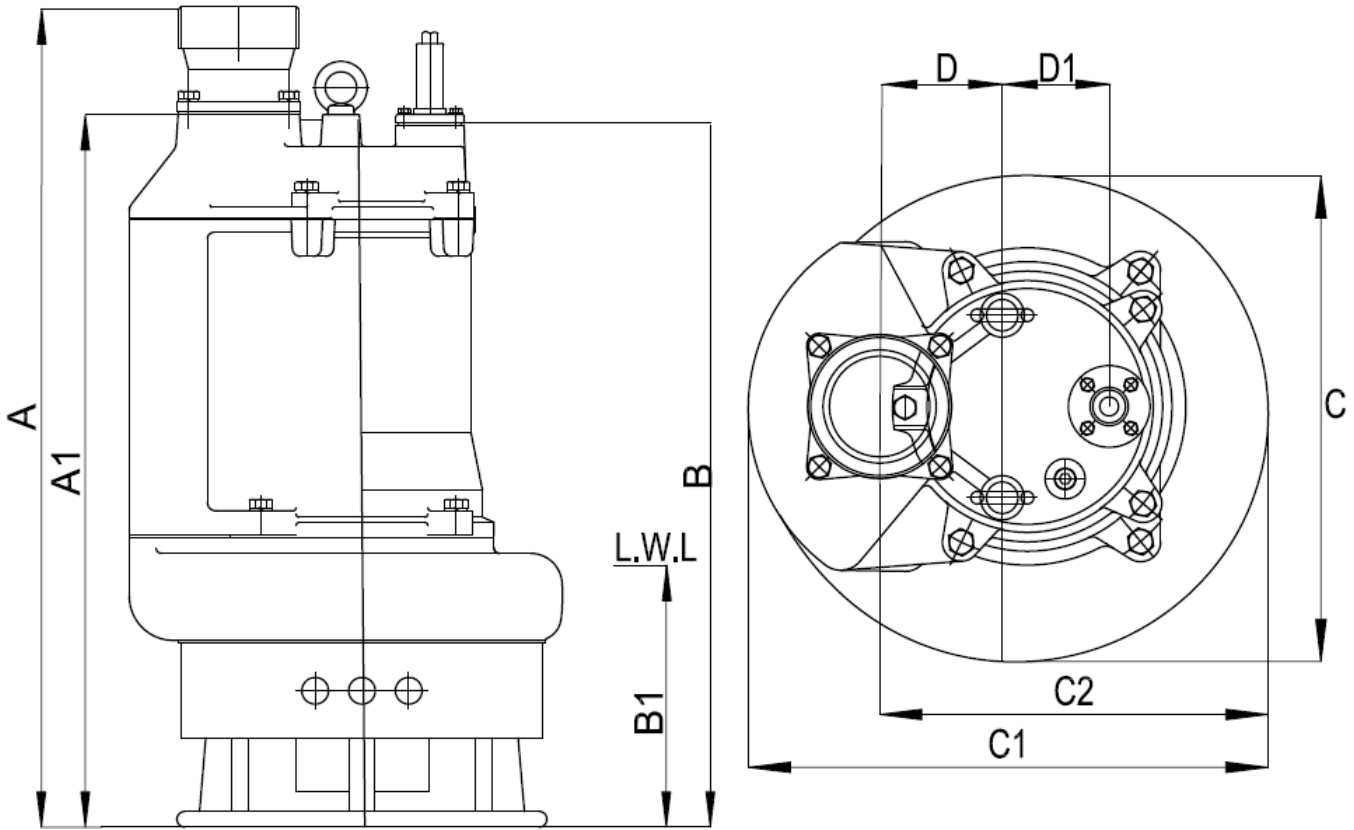




# SKR-437



Type	Discharge	A	A1	B	B1	C	C1	C2	D	D1
Dimensions	3" NPT Male	31.02"	26.97"	26.57"	10.2"	13.98"	15.07"	11.93"	5.04"	2.77"

Specifications subject to change without notice