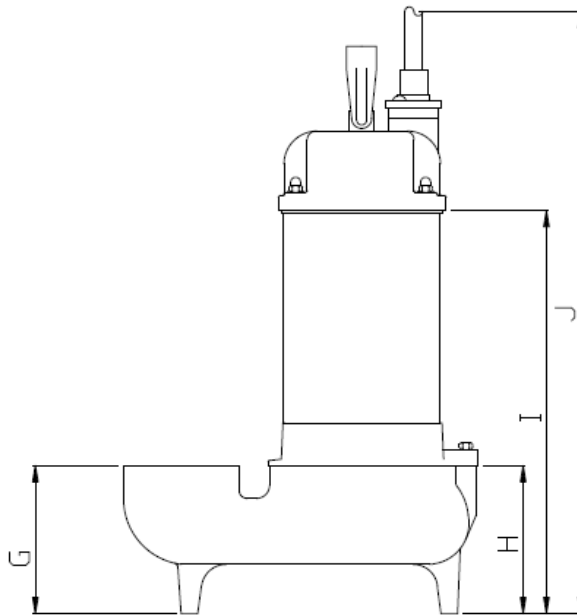
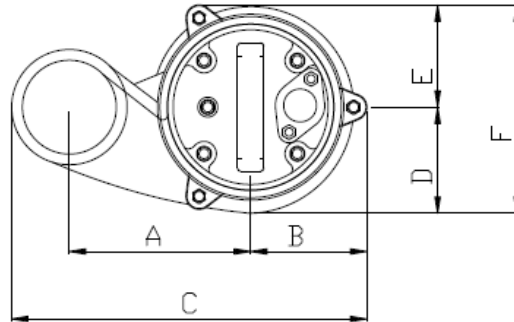




SB-20



TYPE	DISCHARGE	A	B	C	D	E	F	G	H	I	J
INCHES	1" NPT Female	3.35"	3.27"	6.85"	2.48"	2.64"	5.12"	1.89"	1.70"	7.28"	10.24"

Specifications subject to change without notice