



# DIMENSIONS

# CSA Trash Vortex Pumps S2000-TS4P

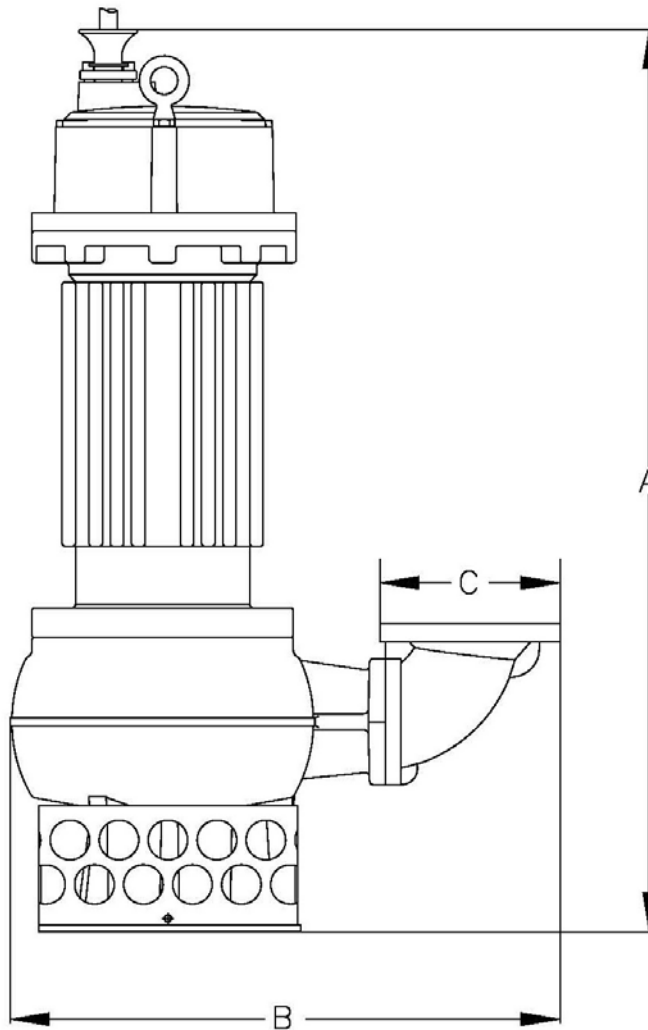
STANCOR

Dwg:

DS-A25-015

Rev:

Date: 06/16



Dimensions	A	B	C
Trash Vortex	41 1/8"	30"	4" ANSI Class 125 FF

Specifications subject to change without notice

Stancor, Inc. 515 Fan Hill Road, Monroe, CT 06468

Tel: 203-268-7513

Fax : 203-268-7958

www.stancorpumps.com