



DIMENSIONS

CSA Trash Vortex Pumps S1500-TS4P

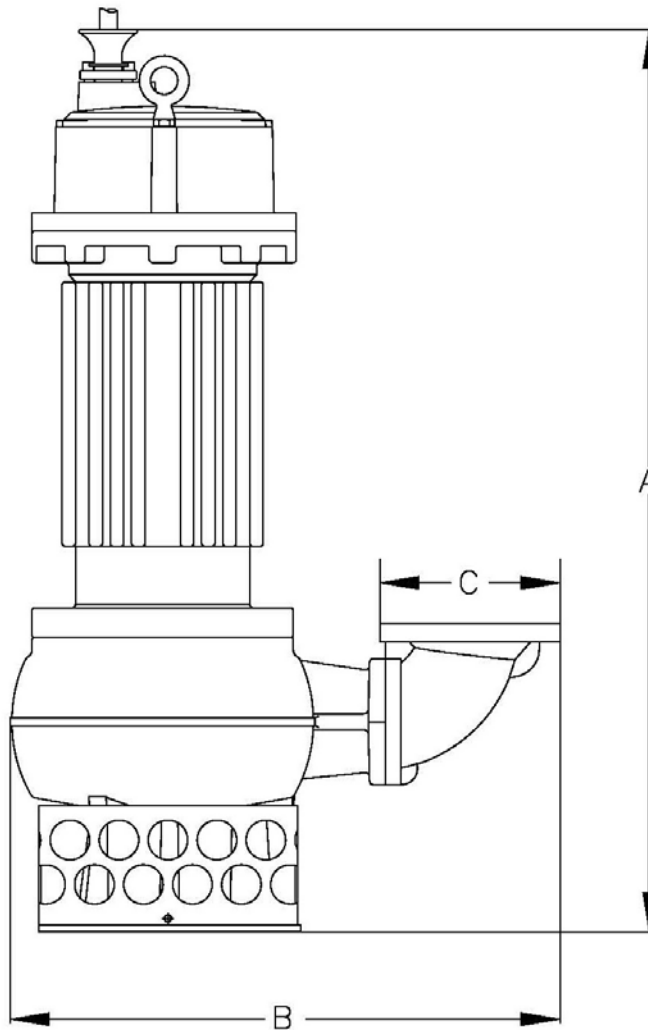
STANCOR

Dwg:

DS-A25-014

Rev:

Date: 06/16



| Dimensions | A | B | C |
|--------------|---------|-----|----------------------|
| Trash Vortex | 41 1/8" | 30" | 4" ANSI Class 125 FF |

Specifications subject to change without notice

Stancor, Inc. 515 Fan Hill Road, Monroe, CT 06468

Tel: 203-268-7513

Fax : 203-268-7958

www.stancorpumps.com