



DIMENSIONS

Mine Trash Vortex Pumps P60CEM-TS4P

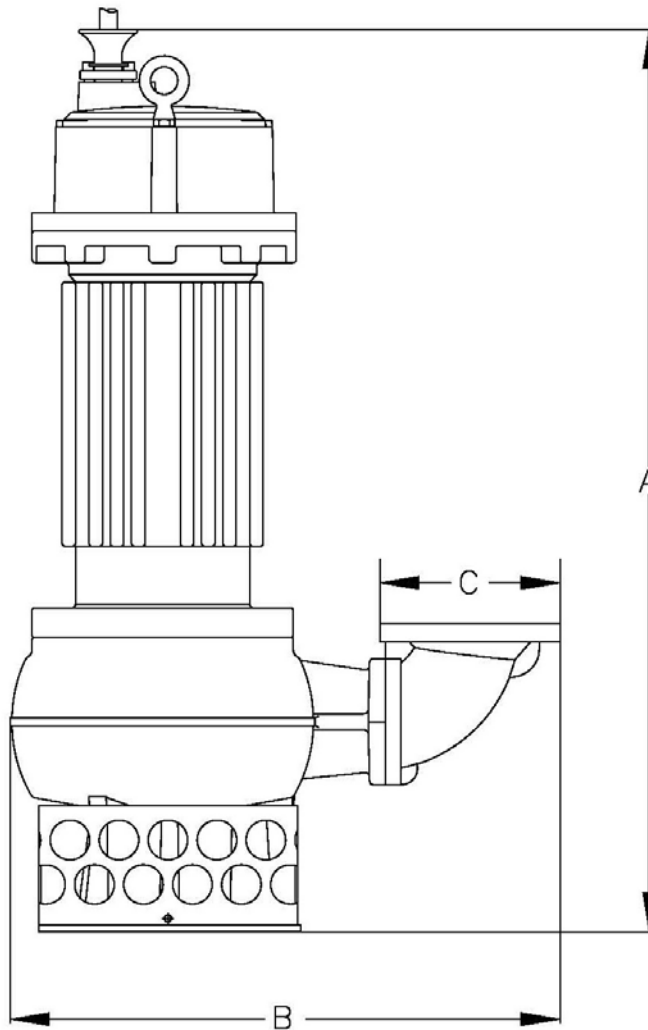
STANCOR

Dwg:

DS-A23-014

Rev:

Date: 06/16



Dimensions	A	B	C
Trash Vortex	41 1/8"	30"	4" ANSI Class 125 FF

Specifications subject to change without notice

Stancor, Inc. 515 Fan Hill Road, Monroe, CT 06468

Tel: 203-268-7513

Fax : 203-268-7958

www.stancorpumps.com