

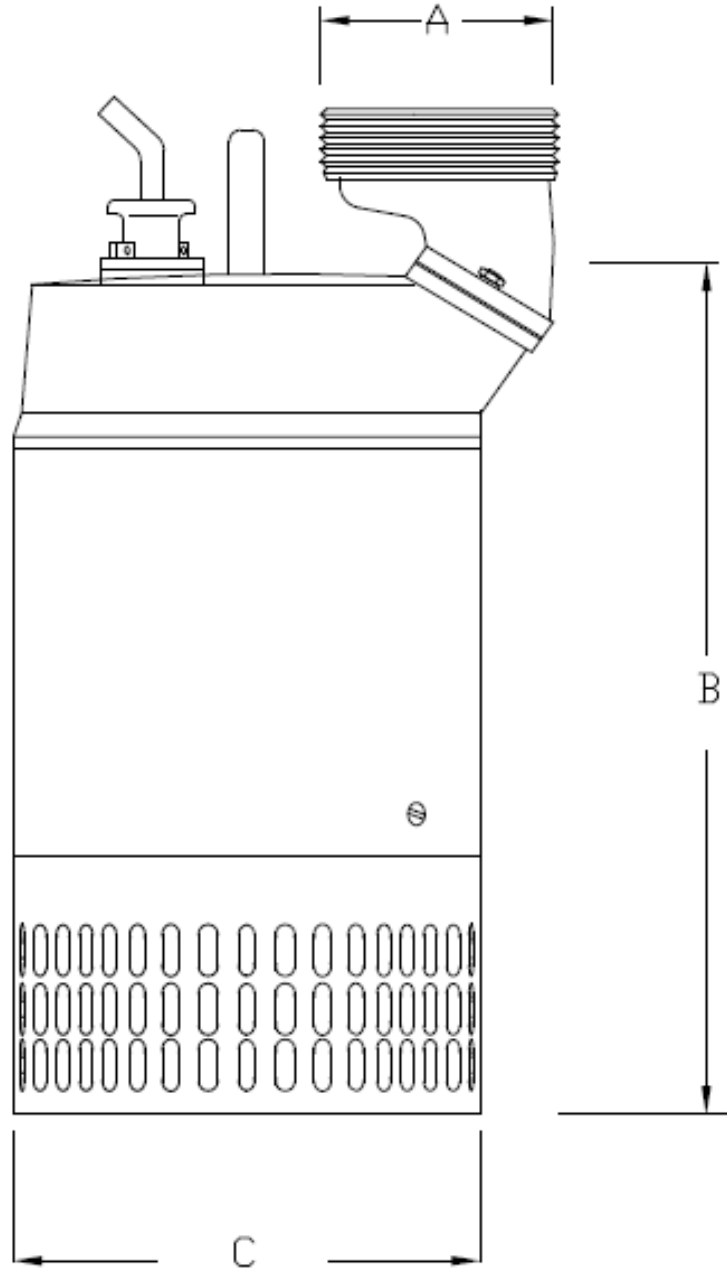


# Dimensions

# Mine Dewatering Pumps P60CEM HH&HV

STANCOR

Dwg: DS-A16-049 Rev: 1 Date: 09/15



Dimensions	A	B	C
High Head	4"	33"	16.125"
High Volume	6"	33"	16.125"

Specifications subject to change without notice

Stancor, Inc. 515 Fan Hill Road, Monroe, CT 06468

Tel: 203-268-7513

Fax : 203-268-7958

www.stancorpumps.com