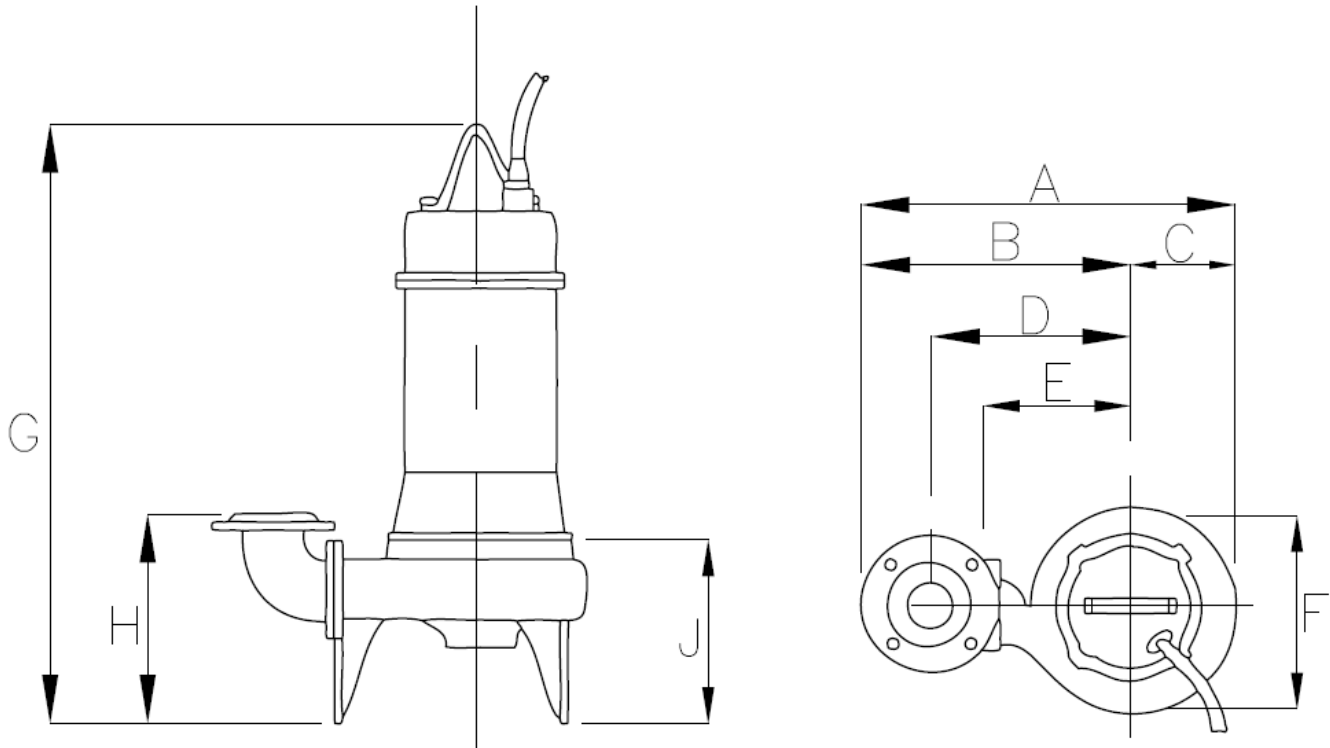




**80LX65.5**



TYPE	DISCHARGE	A	B	C	D	E	F	G	H	J
INCHES	3" Class 125 F.F.	25.2"	17.83"	7.4"	14.17"	10.04"	15"	32.44"	13.15"	12.2"

Specifications subject to change without notice