

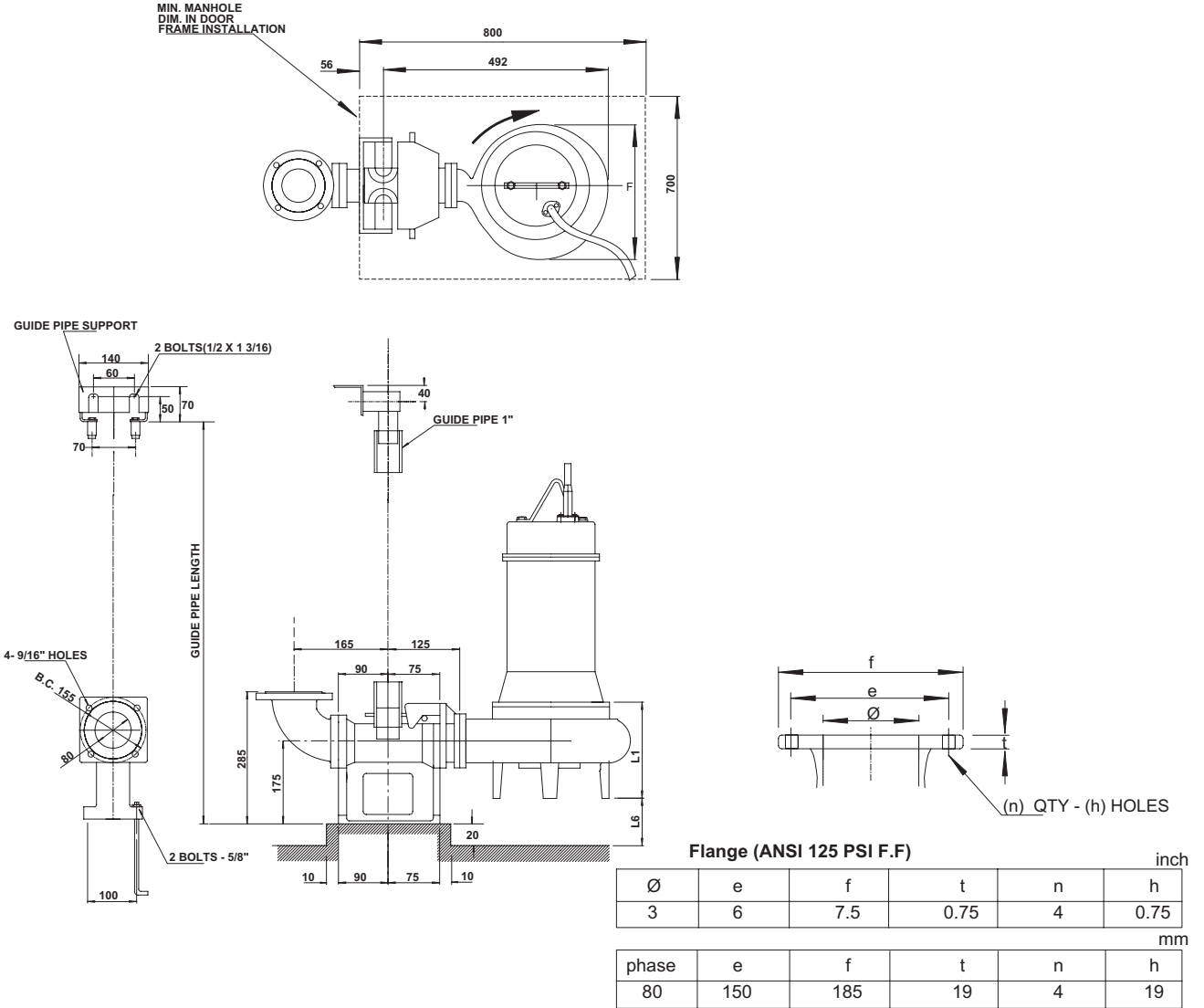
# STANCOR SUBMERSIBLE WASTEWATER PUMPS

# LX SERIES

## DIMENSIONS

### MODEL LX WITH QUICK DISCHARGE CONNECTOR

80LX  
100LX



Dimensions: inch

Phase	Size Ø	Model	Output		Q.D.C. Model	Pump & Motor			Weight Lb	
			kW	HP		F	L1	L6	Pump	Q.D.C.
Three	3	80LX62.2	2.2	3	GR80	12.625	11	176	12.1875	1.25
		80LX63.7	3.7	5	GR80	12.625	11	192	12.1875	1.25
	4	100LX63.7	3.7	5	GR80	12.625	11	196	12.9375	0.5625

Dimensions: mm

Phase	Size Ø	Model	Output		Q.D.C. Model	Pump & Motor			Weight KG	
			kW	HP		F	L1	L6	Pump	Q.D.C.
Three	80	80LX62.2	2.2	3	GR80	320	279	7	80	17
		80LX63.7	3.7	5	GR80	320	279	7	87	17
	100	100LX63.7	3.7	5	GR80	320	279	7	89	17

# STANCOR SUBMERSIBLE WASTEWATER PUMPS

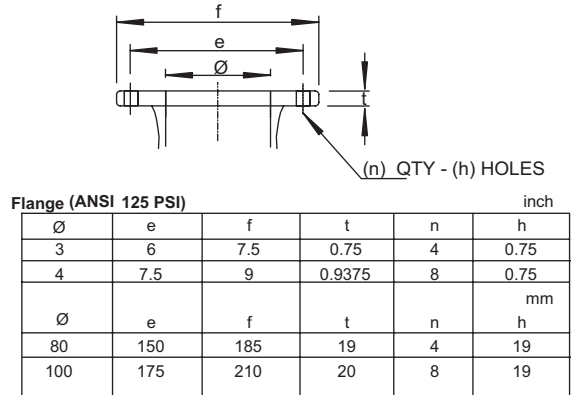
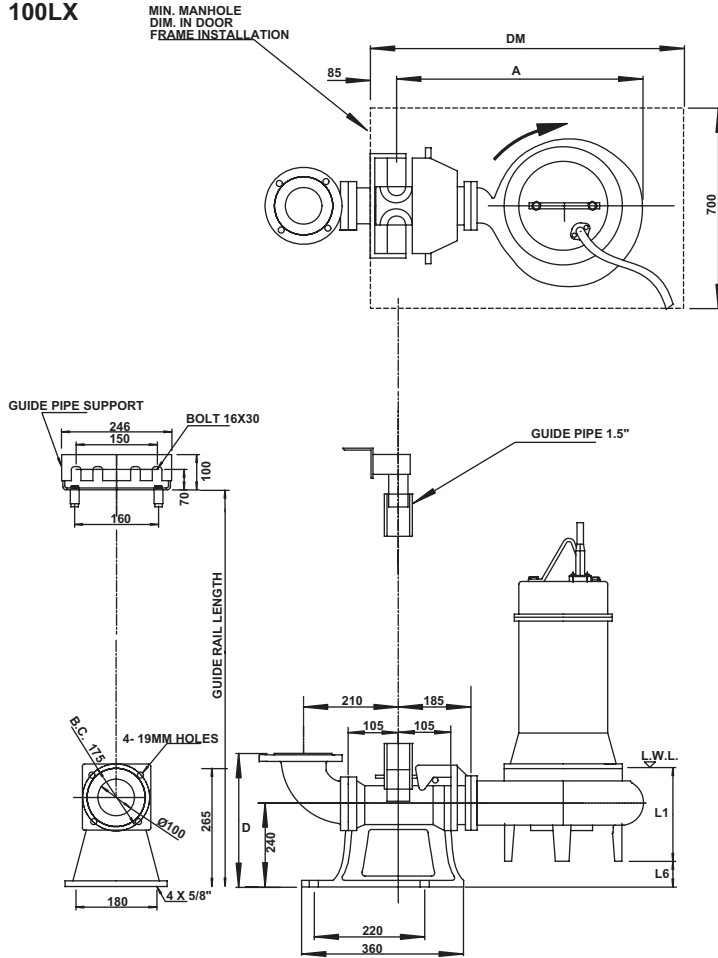
## DIMENSIONS

# LX SERIES

### MODEL LX WITH QUICK DISCHARGE CONNECTOR

80LX

100LX



Dimensions: inch

Phase	Size Ø	Model	Output		Q.D.C. Model	Pump & Motor						Weight Lb.	
			kW	HP		A	D	F	L1	L6	DM	Pump	Q.D.C
Three	3	80LX65.5	5.5	7.5	GR100	24.75	14.375	15	12.1875	1.25	31.5	260	101
		80LX67.5	7.5	10	GR100	24.75	14.375	15	12.1875	1.25	31.5	271	101
		80LX611	11	15	GR100	28.375	14.375	17.9375	12.9375	0.5625	39.375	346	101
		80LX615	15	20	GR100	28.375	14.375	17.9375	12.9375	0.5625	39.375	359	101
		80LX22	22	30	GR100	30.125	14.375	19.5625	13.0625	0.5	39.375	492	101
	4	100LX65.5	5.5	7.5	GR100	24.375	14.375	15	12.1875	1.25	31.5	267	101
		100LX67.5	7.5	10	GR100	24.375	14.375	15	12.1875	1.25	31.5	267	101
		100LX611	11	15	GR100	28.375	14.375	17.9375	12.9375	0.5625	39.375	353	101
		100LX615	15	20	GR100	28.375	14.375	17.9375	12.9375	0.5625	39.375	366	101
		100LX622	22	30	GR100	30.125	14.375	19.5625	13.0625	0.5	39.375	498	101

Dimensions: mm

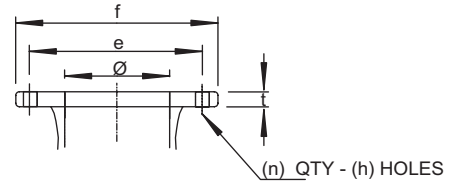
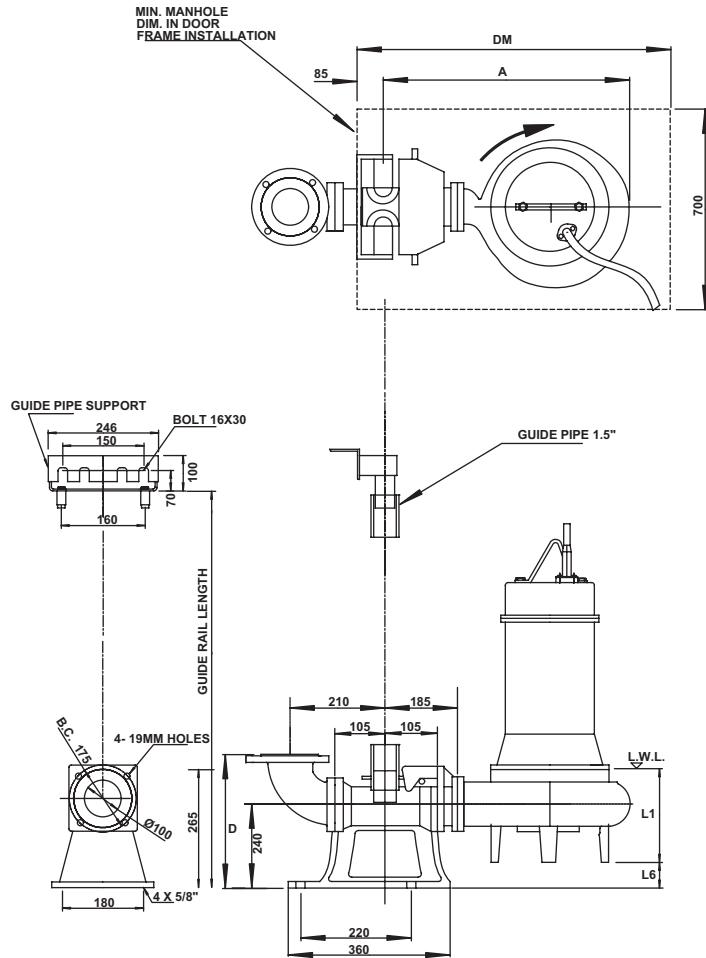
Phase	Size Ø	Model	Output		Q.D.C. Model	Pump & Motor						Weight KG.	
			kW	HP		A	D	F	L1	L6	DM	Pump	Q.D.C
Three	80	80LX65.5	5.5	7.5	GR100	628	365	381	310	31	800	118	46
		80LX67.5	7.5	10	GR100	628	365	381	310	31	800	123	46
		80LX611	11	15	GR100	721	365	455	329	15	1000	157	46
		80LX615	15	20	GR100	721	365	455	329	15	1000	163	46
		80LX22	22	30	GR100	765	365	497	332	12	1000	223	46
	100	100LX65.5	5.5	7.5	GR100	628	365	381	310	31	800	121	46
		100LX67.5	7.5	10	GR100	628	365	381	310	31	800	125	46
		100LX611	11	15	GR100	721	365	455	329	15	1000	160	46
		100LX615	15	20	GR100	721	365	455	329	15	1000	166	46
		100LX622	22	30	GR100	765	365	497	332	12	1000	226	46

# STANCOR SUBMERSIBLE WASTEWATER PUMPS

# LX SERIES

## DIMENSIONS

### MODEL LX WITH QUICK DISCHARGE CONNECTOR 150LX



Flange (ANSI 125 PSI F.F)						inch
Ø	e	f	t	n	h	
6	9.5	11	1	8	0.75	
						mm
Ø	e	f	t	n	h	
150	240	280	22	8	19	

Dimensions:  
inch

Phase	Size Ø	Model	Output		Q.D.C. Model	Pump & Motor						Weight Lb	
			kW	HP		A	D	F	L1	L6	DM	Pump	Q.D.C.
Three	6	150LX65.5	5.5	7.5	GR150	24.75	15.75	15	12.1875	1.25	31.5	280	101
		150LX67.5	7.5	10	GR150	24.75	15.75	15	12.1875	1.25	31.5	291	101
		150LX611	11	15	GR150	28.375	15.75	17.9375	12.9375	0.5625	39.375	366	101
		150LX615	15	20	GR150	28.375	15.75	17.9375	12.9375	0.5625	39.375	379	101
		150LX622	22	30	GR150	30.125	15.75	19.5625	13.0625	0.5	39.375	511	101

Phase	Size Ø	Model	Output		Q.D.C. Model	Pump & Motor						Weight KG	
			kW	HP		A	D	F	L1	L6	DM	Pump	Q.D.C.
Three	150	150LX65.5	5.5	7.5	GR150	628	400	381	310	31	800	127	46
		150LX67.5	7.5	10	GR150	628	400	381	310	31	800	132	46
		150LX611	11	15	GR150	721	400	455	329	15	1000	166	46
		150LX615	15	20	GR150	721	400	455	329	15	1000	172	46
		150LX622	22	30	GR150	765	400	497	332	12	1000	232	46